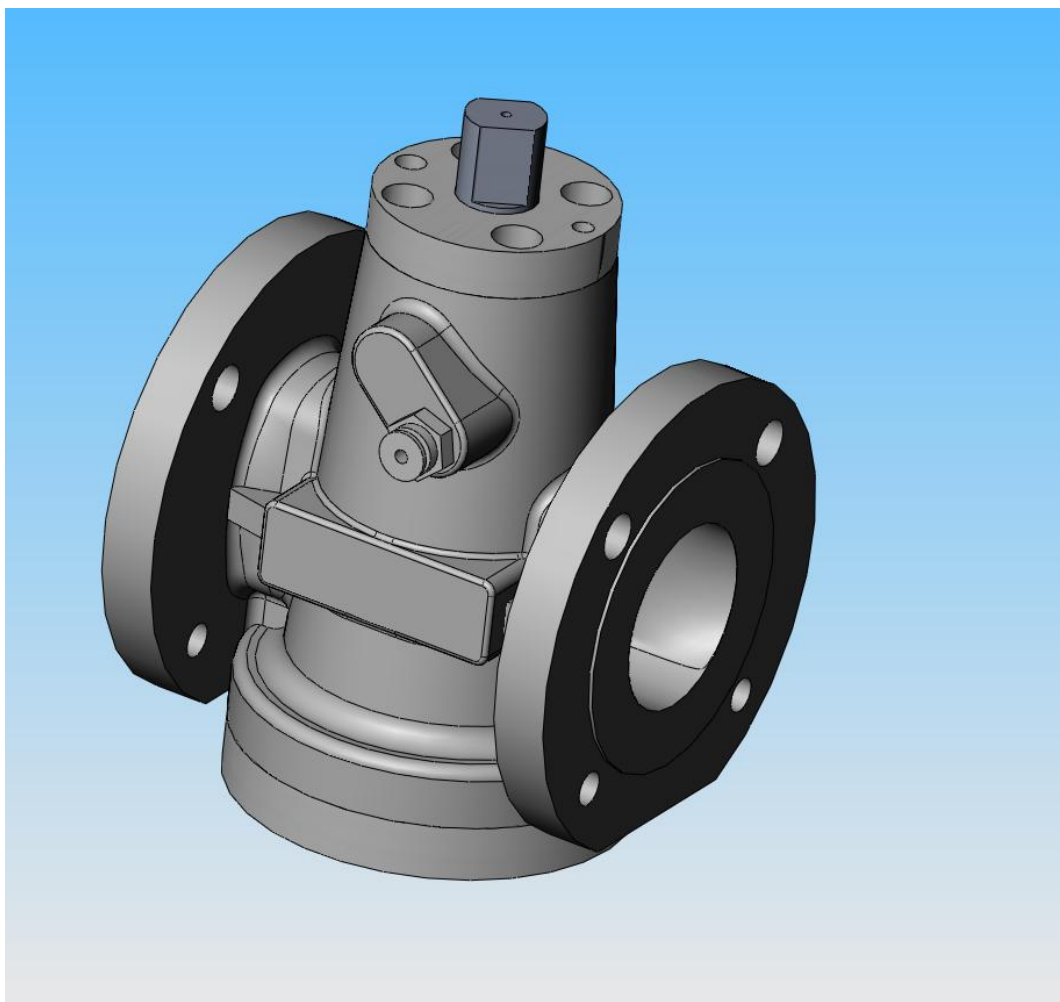




PLUG VALVES



**LUBRIFICATED
PRESSURE BALANCED**

INTRODUCTION

Over the past 15 years, ENIMEX has been grown, developed and finally become a major international valve producer, supporting oil & gas applications, power plants and chemical industries. The range of products covers Side entry Ball Valves Split body or fully welded for above ground or underground installations type floating or trunnion, API 6D marked and Lubricated Plug Valves class API 6D marked.

GENERAL DESCRIPTION

ENIMEX Plug Valves are On-Off Devices suitable for almost any medium and can be installed in any position. Opening & Closing is performed by 90° rotation of valve stem allowing a fast operation.

ENIMEX Plug Valves are provided with an efficient lubrication system allowing a perfect grease injection between the sealing surfaces of valve body and plug.

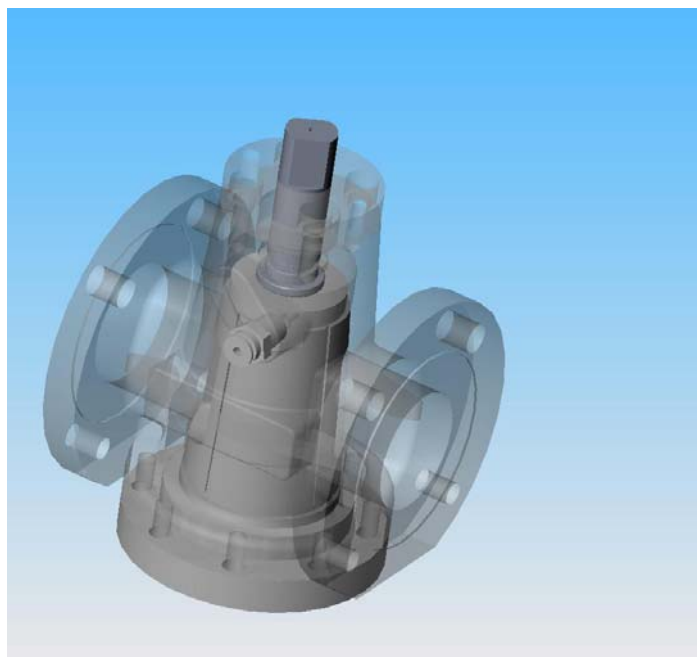
Construction:

- Lubricated
- Pressure Balanced
- Short, Venturi or Regular Port

Sizes:

1" ÷ 16"

DN 25 ÷ DN 400



Pressure classes:

ASME 150-300-600
PN 16-25-40-63-100

Design:

API 6D, ASME B16.34, ASME B16.10

Testing:

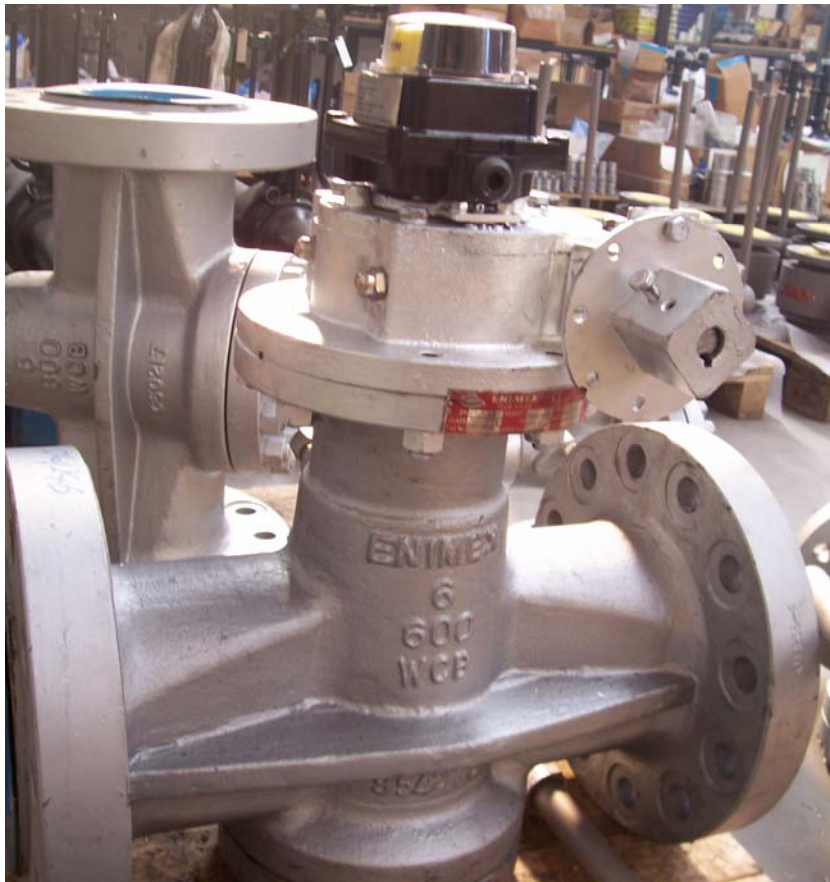
API 6D, API 598, ASME B 16.34, EN ISO 5208

MATERIALS

Carbon steel, Low Temperature Carbon Steel in compliance to
ASME B16.34, EN 1503, NACE MR0175 / ISO 15156
Special trims on request.

DIMENSIONS

API 6D / ISO 14313, ASME B16.10, EN 558
Ends: ASME B16.5, ASME B16.25, ASME B.1.20.1



MARKING

API 6D / ISO 14313, CE, EN 19

COATING

Sandblasting: SA 21/2

External Protection: According to inter. Stds

OTHER FEATURES

- Low torque design
- Anti-static design
- Blow out proof Stem
- Sealant Injection for Stem and Seat
- Lever, gear or actuated operation

DOCUMENTATION

- EC Declaration of conformity acc. to PED 97/23/EC
- Materials & Inspection test certificate acc. to EN 10204 3.1
- Hydro-pneumatic test certificate acc. to EN 10204 3.1
- Coating test certificate

CERTIFICATION

- API 6D certificate of authority
- EC type examination certificate acc. to PED 97/23/EC
- ATEX certificate
- Fire safe certificate acc. to EN ISO 10497, API 6FA, BS 6755 pt. 2

ENIMEX S.A.

Manufacturing Plants

-Industrial Area Of Kilkis, PO Box 20, PC 61100 Kilkis, Greece, Tel:+30 23410 72162, Fax:+30 23410 72065, Email: info@enimex.gr

Spare parts & After-Sales Service

-Industrial Area Of Kilkis, PO Box 20, PC 61100 Kilkis, Greece, Tel: +30 23410 71672, Fax: +30 23410 72065, Email: tsg@enimex.gr

Logistics / Warehouses

- Thessaloniki Neochorouda PC 545 00 - PO Box 463 Tel. +30 2310 574876, Fax. +30 2310 574877 E-mail: info@totgas.gr

- Larisa 3rd Km Old National Road Larisa-Thessaloniki, PC 410 01 Tel/Fax. +30 2410 550566, E-mail: totgas@hol.gr

- Athens Ipsilantou 22 – Tavros, PC 177 78, Tel. +30 210 3412262 Fax. +30 210 3412242, E-mail: info@enimexcom.gr